



KEYSTONE ENGINEERING COMPANY

**Part Number:**

D24500

**Size:**

21.71 OD x 43.785 Long

**Tank Type:**

PMD

**Mount Style:**

Bosses

**Location:**

Polar

**PMD Device:**

Side Arms with Central Vein

PMD Tank for Ox, manufactured from Titanium.

Applicable Documents

**Tank Characteristics:**

**Tank Characteristics (Metric):**

ICD  
D24500\_ICD

Total Volume, in<sup>3</sup>:

12,778

Propellant Volume, in<sup>3</sup>:

Max Design Weight, lbs:

27.8

Minimum Wall Thickness, in:

0.02

Operating Pressure, psig:

300

Proof Pressure, psig:

375

Collapse Pressure, psig:

1

Burst Pressure, psig:

450

Total Volume, L:

209.39

Propellant Volume, L:

Max Design Weight, kg:

12.61

Minimum Wall Thickness, mm:

0.508

Operating Pressure, bar:

20.68

Proof Pressure, bar:

25.86

Cryo Proof, bar:

0.07

Burst Pressure, bar:

31.03

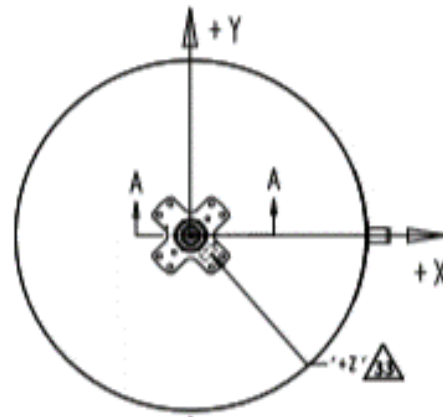
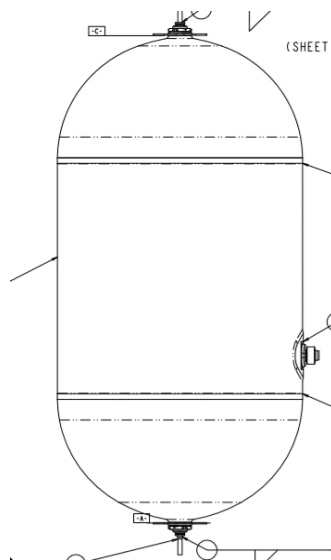
Notes:

Tube Type:

Size:

Applications Testing:

Qualifications Testing:



5/8/2007

4401 Donald Douglas Dr.  
Long Beach, CA 90808

Telephone: 562-497-3200