



KEYSTONE ENGINEERING COMPANY

Part Number:

A0882301

Size:

31.73 OD x 34.29 Long

Tank Type:

Mount Style:

Location:

Device:

Metal Diaphragm

Boss

Polar

Metal Diaphragm

Metal Diaphragm Tank

Applicable Documents

Tank Characteristics:

Tank Characteristics (Metric):

Applications Test
PP-80718T

Total Volume, in³:

16615

Total Volume, L:

272.3

Propellant Volume, in³:

Propellant Volume, L:

Max Design Weight, lbs:

60.1

Max Design Weight, kg:

27.3

Minimum Wall Thickness, in:

Minimum Wall Thickness, mm:

Operating Pressure, psig:

Operating Pressure, bar:

Proof Pressure, psig:

Proof Pressure, bar:

Cryo Proof, psig:

Cryo Proof, bar:

Burst Pressure, psig:

Burst Pressure, bar:

Notes:

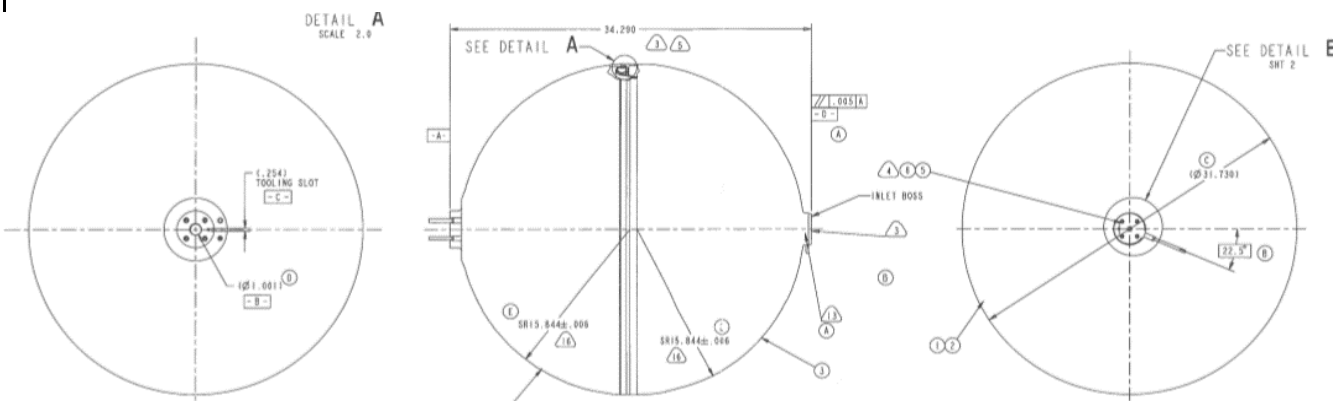
Tube Type:

Size:

Applications Testing:

Qualifications Testing:

Proof Pressure Test
Internal Diaphragm Leakage Test
Radiographic and Penetrant Inspection
External Leakage Test



6/27/2001

4401 Donald Douglas Dr.
Long Beach, CA 90808

Telephone: 562-497-3200